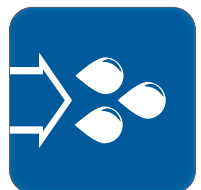


DATA SHEET

HIGH PRESSURE DUST SUPPRESSION SYSTEM



HPW DUST 200

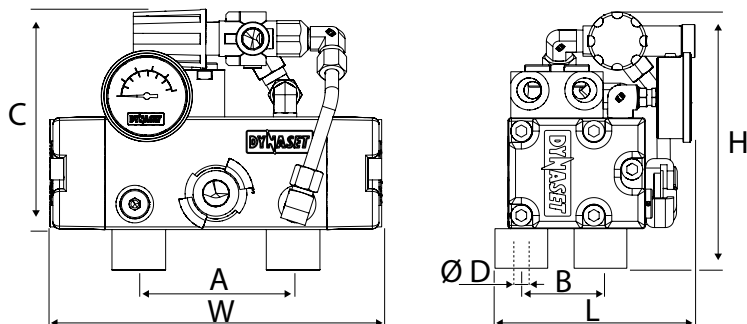
HPW DUST 200 DOUBLE DUST

HPW DUST 220 DOUBLE DUST

HPW DUST 180 DOUBLE DUST

HPW DUST 130 DOUBLE DUST

DIMENSIONS (HPW PUMP)



Model	DIMENSIONS, mm (in)							WEIGHT kg (lbs)
	L	W	H	A	B	C	D	
HPW 200	160 (6.3)	245 (9.6)	165 (6.5)	115 (4.5)	60 (2.4)	135 (5.3)	M8	8 (17.6)
HPW 220	170 (6.7)	280 (11.0)	185 (7.2)	126 (4.7)	106 (4.2)	153 (6.0)	M8	18 (39.6)
HPW 180	240 (9.4)	330 (13.0)	175 (6.9)	200 (7.9)	175 (6.9)	160 (6.3)	M10	28 (61.7)
HPW 130	175 (6.9)	400 (15.7)	270 (10.6)	250 (9.8)	95 (3.7)	270 (10.6)	M10	35 (77.2)

CONNECTIONS

		HPW 200	HPW 220	HPW 180	HPW 130
HYDRAULIC CONNECTIONS					
Pressure line (female)	P	1/2"	3/4"	3/4"	3/4"
Return line (male)	T	1/2"	3/4"	3/4"	3/4"
ELECTRIC CONNECTIONS					
Electric connectors (solenoid valve)	DIN 43650-A				
WATER CONNECTIONS					
Water input	S	3/4"	1"	1 1/4"	2"
Water output	WP	3/8"	1/2"	3/4"	1"

OPTIONS:

- Hose Reel with 20m hose
- Additional Nozzles
- Water tank (1000l)
- Strainer

PARAMETERS

		HPW-DUST 200	HPW-DUST 200 DOUBLE DUST	HPW-DUST 220 DOUBLE DUST	HPW-DUST 180 DOUBLE DUST	HPW-DUST 130 DOUBLE DUST
WATER POWER						
Basic flow @ recommended pressure	l/min (gpm)	21 (5.5)	10 (2.6)	21 (5.5)	45 (11.9)	60 (15.9)
High Power flow @ recommended pressure	l/min (gpm)	-	30 (7.9)	50 (13.2)	90 (23.8)	180 (47.6)
Pressure recommended	bar (psi)	140 (2000)	140 (2000)	140 (2000)	140 (2000)	130 (1900)
Pressure max	bar (psi)	200 (2900)	200 (2900)	220 (3200)	180 (2600)	130 (1900)
Nozzles (basic)	pcs	4	2	4	4	6
High power nozzles	pcs	-	2	2	2	2
WATER INTAKE REQUIREMENTS						
Recommended suction hose size	in	3/4"	3/4"	1"	1 1/4"	2"
Suction filter flow min	l/min (gpm)	50 (13.2)	50 (13.2)	80 (21.1)	130 (34.3)	200 (52.8)
Recommended filter mesh		80 or better				
Suction head max	m (ft)	3 (9.8)				
Feed pressure	bar (psi)	-0,3...16 (-43.5...232)				
HYDRAULIC POWER REQUIREMENTS						
Oil flow max.	l/min (gpm)	40 (10.6)	40 (10.6)	70 (18.5)	115 (30.4)	140 (37.0)
Pressure max.	bar (psi)	210 (3000)	210 (3000)	210 (3000)	210 (3000)	250 (3600)
HYDRAULIC CONNECTIONS						
Pressure line (female)	P	1/2"	1/2"	3/4"	3/4"	3/4"
Return line (male)	T	1/2"	1/2"	3/4"	3/4"	3/4"
HYDRAULIC FLUID REQUIREMENTS						
Viscosity	cSt	10-200 / optimum 25-35				
Temperature	°C (°F)	max. 70 (160)				
Filter ratio, recommendation	µm	25 or better				
Cooling capacity requirement	kW	2	2	3	6	6

Gallons are U.S. liquid gallons

All models includes installation valves, fittings, connetors, nozzles, filters, washing pistol and 10m hose.

DOUBLE DUST models includes additional solenoid valve and high flow nozzles + wiring set.



Menotie 3
FI-33470 Ylöjärvi, Finland
tel: +358 3 3488 200
info@dynaset.com



ELECTRICITY

HG Hydraulic Generator
HGV POWER BOX Variable Hydraulic Generator System
HGV Variable Hydraulic Generator System
HWG Hydraulic Welding Generator
HGG Hydraulic Ground Power Generator



HIGH PRESSURE WATER

HPW Hydraulic High Pressure Water Pump
HPW Hydraulic Power Washer
KPL High Pressure Street Washing Unit
HPW-DUST High Pressure Dust Suppression System
PPL High Pressure Pipe Cleaning Unit
HPW-FIRE High Pressure Firefighting System
FP Fire Fighting Piercing Kit
HDF Hydraulic Drilling Fluid Pump
JPL High Pressure Bin Washing System
HSP Hydraulic Submersible Pump



COMPRESSED AIR

HK Hydraulic Piston Compressor
HKL Hydraulic Rotary Vane Compressor
HKR Hydraulic Screw Compressor



MAGNET POWER

HMG PRO Hydraulic Magnet Generator
MAG Lift Magnet
HMAG PRO Hydraulic Magnet



VIBRATION

HVB Hydraulic Vibra
HVD Hydraulic Directional Vibra
HRC Hydraulic Reversal Cylinder



POWER BOOSTING

HPI Hydraulic Pressure Intensifier
HPI-C Hydraulic Pressure Intensifier for Cylinder



KNOW-HOW

Hydraulic Power Take-off (PTO)
Hydraulic Power Unit Technology
De-Icing Technology
Installation Valves
HHK Hydraulic Grinder
HV/HVY Hydraulic Winch / Winch Unit

www.dynaset.com

